

FRIGA-BOHN

NTA

Dual-discharge unit cooler
Commercial range



|||| 0.9 - 22 kW



- # **Easy to install and use** as a result of its compactness, making it perfect for small spaces.
- # Easy access to all components for **easy cleaning** and **maintenance**.
- # **Comfort:** the directional airflow, the low air speed and the low noise level of the NTA help to create a comfortable environment.
- # **Energy efficiency:** with optimized performance, new refrigerants and the EC option, the NTA leads to real energy savings..

COILS

- # Aluminium fins with 3.5 or 6 mm spacing.
- # Combined with grooved copper tubes, the coils are very efficient and compact.
- # Multi-refrigerant CO₂, A2L and HFCs compatible coils.
- # Versions available:
 - Multi-refrigerant HFCs/A2L,
 - CO₂ (60 or 80 bar).
 - WCO (glycol water, coolant).

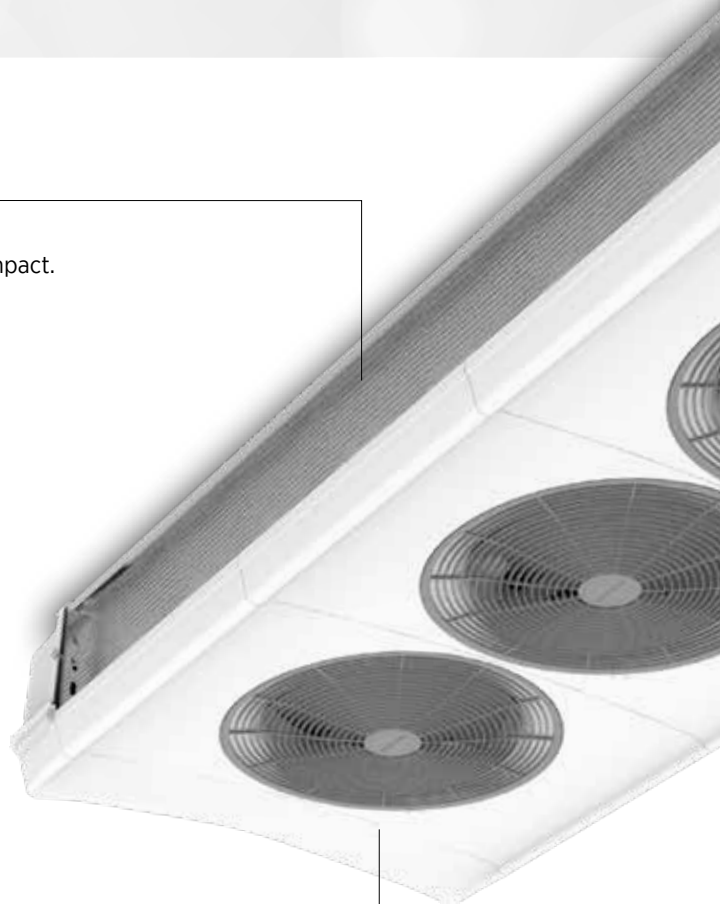
Select your coil treatment to extend your unit cooler's lifespan!
Contact us.

VENTILATION

- # Bell mounted electric fans Ø 350 mm.
- # The AC motor fans are of the closed, single-phase capacitor type, 230V/1/50-60Hz, IP 55, class F, with internal thermal protection.
Available in version (depending on acceptable noise level):
 - HS (high speed) = 1,250 rpm. - 105 W max. / 0.5 A max.
 - LS (low speed) = 850 rpm. - 74 W max. / 0.45 A max.

OPTIONS

- | | |
|------------|------------------------------------------------------------------|
| EC4 | EC motor fan - 4 speeds - 230V/1/50-60Hz. |
| EC3 | EC motor fan - 2 "boost" speeds (max air flow) - 230V/1/50-60Hz. |
| RCS | Blower heater. KIT TO INSTALL |



CASING

- # Removable grille and retractable casing made from recyclable ABS.
- # High resistance to thermal shock.
- # Horizontal condensate drain plug 1" G with screw thread.
- # Perfect hygiene as a result of the rounded corners that eliminate retention areas and through the use of protected steel and stainless steel fastening screws.
- # Internal drain pans avoiding condensation on the casing.
- # Increased safety due to the absence of sharp edges.

OPTIONS

AFD Deflectors to direct the air flow



DEFROST

OPTIONS

EIU Light electric defrost.

E1K Light electric defrost. **KIT TO INSTALL**

2TH **TH 5709L**: single-pole reversing thermostat for defrost end at +12 °C (±3 °C) and delayed ventilation restart at +2 °C (±3 °C) (kit to install).

THS 5708L: single-pole safety thermostat for heaters at +24 °C (±3 °C), recommended with electric defrost (kit to install).



OPTIONS

PRK Condensate lift pump. **KIT TO INSTALL**

EXT Electronic expansion valve fitted. **CONTACT US**

DMP Expansion valve fitted.

EEC Complete factory-assembled unit cooler:
 - Expansion valve.
 - Solenoid valve.
 - Pipework equipped with a fitted ball valve (role of the siphon performed by the manifold).

KVP Pressostatic valve kit. **KIT TO INSTALL**

Save time during installation by choosing these additional options.

NTA M_(A) OR_(B) 1_(C)-AC_(D)

(A) **M** = multi-refrigerant - **C** = CO₂ - **W** = glycol water
 (B) Fin spacing: **R** = 3.5 mm - **L** = 6 mm
 (C) Number of fans
 (D) **AC** = AC motor - **EC4** = EC motor - **EC3** = EC+ motor

The NTA is available with CO₂, A2Ls, HFCs and glycol water. For more information, please consult our software.

CONDITIONS	REFRIGERANTS	NTA ... -AC	
SC1 (1)	CO ₂ - 60 bar (2)	HS*	kW
		LS*	kW
	R449A	HS*	kW
		LS*	kW
SC2 (1)	CO ₂ - 60 bar (2)	HS*	kW
		LS*	kW
	R449A	HS*	kW
		LS*	kW

NTA M .. R .. -AC / NTA C .. R .. -AC

 3.5 mm

OR 1	1R 1	2R 2	3R 2	4R 2	5R 3	6R 3	7R 4	8R 4	9R 5
2,7	4,0	5,3	7,1	8,3	10,7	13,1	15,7	16,3	18,6
2,1	3,0	4,2	5,5	6,2	8,3	9,9	12,2	12,6	14,8
2,4	3,8	5,0	6,7	7,9	9,9	12,9	16,1	17,7	21,6
2,0	2,9	4,1	5,3	6,1	7,9	9,8	12,3	13,3	16,3
1,9	2,8	3,7	4,9	5,7	7,4	8,9	10,6	10,9	12,1
1,5	2,1	2,9	3,8	4,4	5,8	6,8	8,3	8,5	9,8
1,6	2,5	3,3	4,5	5,3	6,5	8,4	10,7	11,8	14,2
1,3	2,0	2,7	3,6	4,1	5,3	6,5	8,3	8,9	10,9

		NTA ... -AC	
Sound pressure	Lp 4 m (3)	HS*	dB(A)
		LS*	dB(A)
Fan Ø 350 mm	Airflow		Nb
		HS*	m ³ /h
	LS*	m ³ /h	
	Air throw (4)	HS*	m
LS*		m	
230 V/1 50-60 Hz (5)		HS*	W max
		LS*	W max
		HS*	A max
		LS*	A max
Surface area		m ²	
Circuit volume		dm ³	
Electric defrost EIK (6)	230 V/1/50 Hz	W total	
		A total	
Connections HFCs	Inlet (7)	Ø	
	Outlet (7)	Ø ODF	
Net weight		kg	

OR 1	1R 1	2R 2	3R 2	4R 2	5R 3	6R 3	7R 4	8R 4	9R 5
38	38	41	41	41	42	42	44	44	44
29	29	32	32	32	34	34	35	35	36
1	1	2	2	2	3	3	4	4	5
1630	1460	3250	3070	2920	4610	4180	5840	5570	6960
1120	980	2230	2090	1970	3130	2810	3940	3740	4680
2 x 14	2 x 12	2 x 14	2 x 13	2 x 12	2 x 13	2 x 12	2 x 12	2 x 12	2 x 12
2 x 10	2 x 10	2 x 10	2 x 10	2 x 10	2 x 10	2 x 9	2 x 10	2 x 9	2 x 9
125	125	250	250	250	375	375	500	500	625
74	74	148	148	148	222	222	296	296	370
0,60	0,60	1,20	1,20	1,20	1,80	1,80	2,40	2,40	3,00
0,52	0,52	1,04	1,04	1,04	1,56	1,56	2,08	2,08	2,60
5,8	11,6	11,6	17,4	23,2	26,2	43,6	46,5	58,1	72,7
0,8	1,7	1,7	2,5	3,3	3,8	6,3	6,7	8,4	10,5
350	800	800	1200	1600	1800	3000	3200	3200	3440
1,5	3,5	3,5	5,2	7,0	7,8	13,0	13,9	13,9	14,8
D 3/8"	D 1/2"	D 1/2"	D 1/2"	D 1/2"	D 1/2"	D 1/2"	D 1/2"	D 5/8"	D 5/8"
3/8"	5/8"	5/8"	5/8"	5/8"	5/8"	7/8"	7/8"	1 1/8"	1 1/8"
18	20	27	30	32	42	49	59	63	77

* HS = high speed: 1,250 rpm / LS = low speed: 850 rpm

- (1) Standard conditions:
 SC1 : +10 °C (air inlet temp.) / 0 °C (evaporating temp.) / DT1 = 10K
 SC2 : 0 °C (air inlet temp.) / -8 °C (evaporating temp.) / DT1 = 8K
- (2) Operating pressure - Specific coil - Connection diameters to be defined when ordering.
- (3) Average sound pressure level in dB(A) calculated at 4 m, level with the blades, in a free field over a reflecting plane, given as an indication only.
- (4) Residual air speed: 0.25 m/s.
- (5) Adjustment of overload protection. For air temperatures "ti" other than +20 °C, multiply the intensities by the ratio 293/(273 + "ti") to obtain the approximate value of the intensity after heating the room.
- (6) Electric defrost option.
- (7) Distributor: male to solder - ODF: female to receive the tube of the same diameter.
- (8) Standard net weight - Specific net weight For CO₂ 80 bar: contact us.

NTA M_(A) OL_(B) 1_(C)-AC_(D)

- (A) M = multi-refrigerant - C = CO2 - W = glycol water
 (B) Fin spacing: R = 3.5 mm - L = 6 mm
 (C) Number of fans
 (D) AC = AC motor - EC4 = EC motor - EC3 = EC+ motor

The NTA is available with CO₂, A2Ls, HFCs and glycol water.
 For more information, please consult our software.

NTA M .. L .. -AC / NTA C .. L .. -AC

 6 mm

CONDITIONS	REFRIGERANTS	NTA ... -AC	
SC1 (1)	CO ₂ - 60 bar (2)	HS*	kW
		LS*	kW
	CO ₂ - 80 bar (2)	HS*	kW
		LS*	kW
	R449A	HS*	kW
		LS*	kW
SC2 (1)	CO ₂ - 60 bar (2)	HS*	kW
		LS*	kW
	CO ₂ - 80 bar (2)	HS*	kW
		LS*	kW
	R449A	HS*	kW
		LS*	kW

OL 1	1L 1	2L 2	3L 2	4L 2	5L 3	6L 3	7L 4	9L 5
2,0	3,7	5,6	6,8	7,7	10,2	11,4	14,4	16,9
1,6	2,8	4,4	5,2	5,8	7,9	8,7	11,3	13,5
1,7	3,3	4,9	6,1	-	-	-	-	-
1,4	2,5	3,9	4,7	-	-	-	-	-
1,7	3,3	4,7	5,9	6,8	8,7	10,3	13,3	17,3
1,4	2,6	3,8	4,7	5,4	7,0	8,0	10,4	13,4
1,4	2,6	3,9	4,7	5,3	7,0	7,8	9,7	11,1
1,1	2,0	3,0	3,6	4,1	5,5	6,0	7,7	9,1
1,2	2,3	3,4	4,3	-	-	-	-	-
1,0	1,8	2,7	3,3	-	-	-	-	-
1,1	2,2	3,1	4,0	4,6	5,8	6,9	8,8	11,7
0,9	1,8	2,5	3,2	3,6	4,7	5,5	7,0	9,2

		NTA ... -AC	
Sound pressure	Lp 4 m (3)	HS*	dB(A)
		LS*	dB(A)
		Nb	
Airflow		HS*	m ³ /h
		LS*	m ³ /h
Fan Ø 350 mm	Air throw (4)	HS*	m
		LS*	m
		HS*	W max
		LS*	W max
		HS*	A max
		LS*	A max
Surface area		m ²	
Circuit volume		dm ³	
Electric defrost E1K (6)	230 V/1/50 Hz	W total	
		A total	
Connections HFCs	Inlet (7)	Ø	
	Outlet (7)	Ø ODF	
Net weight (8)		kg	

OL 1	1L 1	2L 2	3L 2	4L 2	5L 3	6L 3	7L 4	9L 5
38	38	41	41	41	42	42	44	44
29	29	32	32	32	34	34	35	36
1	1	2	2	2	3	3	4	5
1700	1500	3250	3120	3010	4680	4520	6020	7520
1170	1020	2230	2130	2040	3190	3060	4080	5100
2 x 15	2 x 13	2 x 14	2 x 13	2 x 13	2 x 13	2 x 13	2 x 13	2 x 13
2 x 11	2 x 10	2 x 10	2 x 10	2 x 10	2 x 10	2 x 10	2 x 10	2 x 10
125	125	250	250	250	375	375	500	625
74	74	148	148	148	222	222	296	370
0,60	0,60	1,20	1,20	1,20	1,80	1,80	2,40	3,00
0,52	0,52	1,04	1,04	1,04	1,56	1,56	2,08	2,60
3,5	8,9	10,6	14,2	17,7	21,3	26,6	35,5	44,3
0,8	2,1	2,5	3,3	4,2	5,0	6,3	8,4	10,5
350	800	800	1200	1600	1800	3000	3200	3440
1,5	3,5	3,5	5,2	7,0	7,8	13,0	13,9	14,8
D 3/8"	D 1/2"	D 1/2"	D 1/2"	D 1/2"	D 1/2"	D 1/2"	D 1/2"	D 5/8"
3/8"	5/8"	5/8"	5/8"	5/8"	5/8"	7/8"	7/8"	1 1/8"
18	20	29	31	33	44	47	60	73

* HS = high speed: 1250 rpm / LS = low speed: 850 rpm

(1) Standard conditions:

SC1 : +10 °C (air inlet temp.) / 0 °C (evaporating temp.) / DT1 = 10K

SC2 : 0 °C (air inlet temp.) / -8 °C (evaporating temp.) / DT1 = 8K

(2) Operating pressure - Specific coil - Connection diameters to be defined when ordering.

(3) Average sound pressure level in dB(A) calculated at 4 m, level with the blades, in a free field over a reflecting plane, given as an indication only.

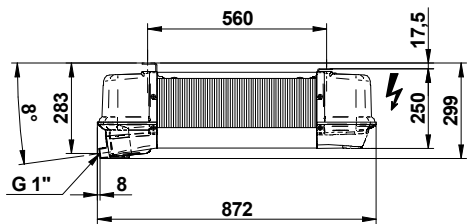
(4) Residual air speed: 0.25 m/s.

(5) Adjustment of overload protection. For air temperatures "ti" other than +20 °C, multiply the intensities by the ratio 293/(273 + "ti") to obtain the approximate value of the intensity after heating the room.

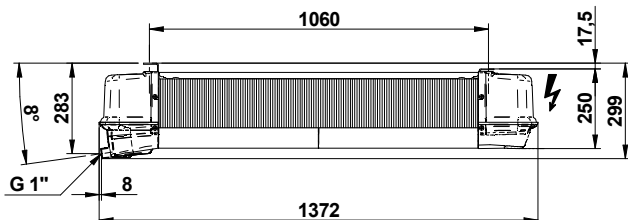
(6) Electric defrost option.

(7) Distributor: male to solder - ODF: female to receive the tube of the same diameter.

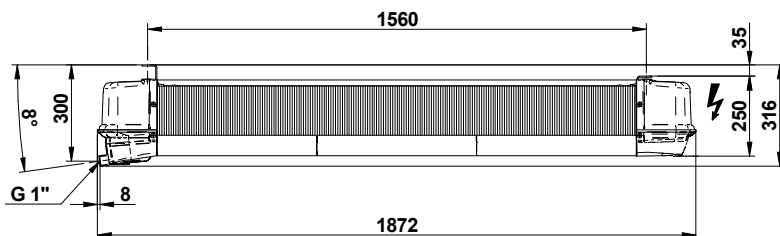
(8) Standard net weight - Specific net weight For CO₂ 80 bar: contact us.



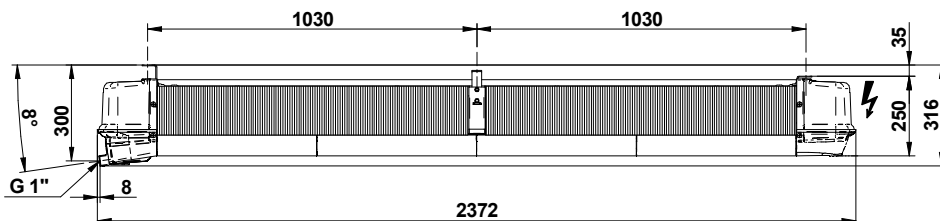
NTA ... 1



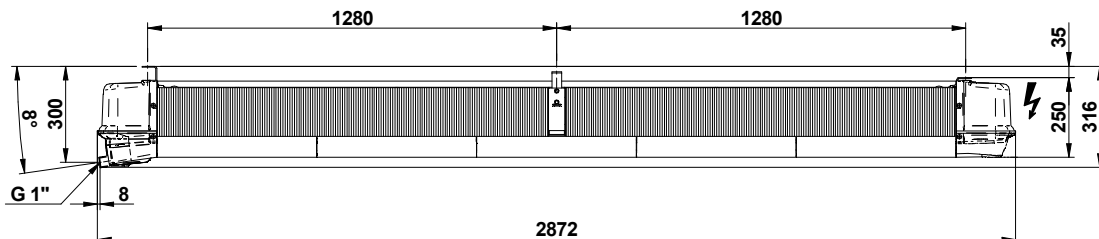
NTA ... 2



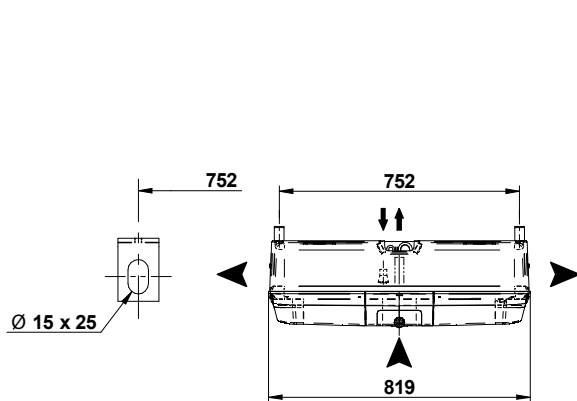
NTA ... 3



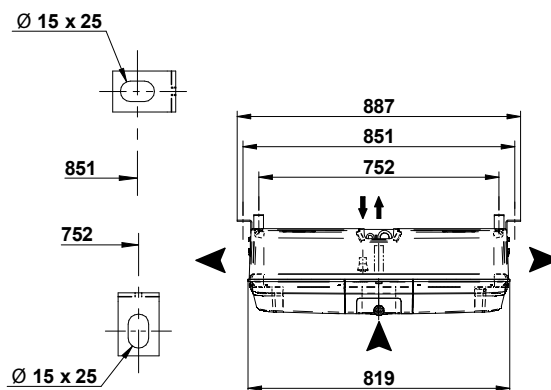
NTA ... 4



NTA ... 5



NTA ... 1 / NTA ... 2 / NTA ... 3



NTA ... 4 / NTA ... 5