

FRIGA-BOHN

3C-A

Cubic unit cooler
Commercial and semi-industrial range



|||| 0.7 - 38 kW



3C-A | Cubic unit cooler

- # **Easy maintenance**; the design of the 3C-A allows quick access to all components.
- # The optimized coil design, high-efficiency motors, and the ability to select an EC motor (optional) allow an improved energy efficiency.
- # Versatile product with components, design and options that adapt to all your needs.

CASING

- # Easy to clean: galvanized sheet steel, fully pre-painted white.
- # Pivoting, hinged drain pan with rounded corners, made from pre-painted aluminium, eliminating retention zones and ensuring complete safety through the absence of sharp corners.

OPTIONS

- PEI** White painted casing.
- CIN** 316L stainless steel casing.
- EIS** Insulated drain pan.
- DPK** Intermediate drain pan (3C-A .. R/L).

[KIT TO INSTALL](#)



VENTILATION

- # High-performance, factory-wired motors.
- # Axial motor fans not requiring systematic maintenance:

	models	temp.	fan	voltage	freq.	IP	class
Ø 300 mm 4P - 1,320 rpm	3C-A 3XXX R/L	+	Standard	230V/1	50/60Hz	44	B
	3C-A 3XXX E/C	-	Standard + RFA	230V/1	50/60Hz	44	B
Ø 450 mm* 4P/6P - 1,320/1,070 rpm	3C-A 4XXX R/L	+	Standard	400V/3	50Hz	54	F
	3C-A 4XXX E/C	-	Standard	400V/3	50Hz	54	F

* Two-speed motor fans, high-speed wired (Δ) by default.

OPTIONS

- M23** Motor fan 230-400V/3/50Hz (Ø 450 mm). [CONTACT US](#)
- MM5** Motor fan 230V/1/50Hz (Ø 450 mm).
- M60** Motor fan 230-400V/3/60Hz (Ø 450 mm).
- MP5** Air pressure motor fan (available pressure 50 Pa - Ø 450 mm).
- RFA** Shell / airflow straightener (streamer). [KIT TO INSTALL](#)
- VGT** RFA + fixing parts for textile duct (Ø 450 mm). [KIT TO INSTALL](#)
- VPM** VGT + flexible defrost cuff. (Ø 450 mm). [KIT TO INSTALL](#)
- EC2** EC motor (electronic commutation) 0-10V - Ø 450 mm.
- EC3** EC motor (electronic commutation) 2 speeds - Ø 300 mm.

OPTIONS

- EXT** Electronic expansion valve fitted.
- DMP** Expansion valve fitted.
- EVL** DMP + Solenoid valve fitted.
- EEC** EVL + copper siphon equipped with a ball valve delivered not fitted.

Save time during installation by choosing these additional options.

COILS



- # Aluminium fins with 4 or 6 mm spacing.
- # Combined with grooved copper tubes, the coils are very efficient and compact.
- # Versions available:
 - Multi-refrigerant HFCs and A2L,
 - CO₂ (60 or 80 bar),
 - WCO (glycol water, coolant).

OPTION

PGI Stainless steel guard plate.

Select your coil treatment to extend your unit cooler's lifespan! Contact us.

DEFROST

- # Two defrost modes for the coil: electric (230V/1, 230V/3 or 430V/3), hot gases.
- # Quick defrosting of the condensate pan thanks to a heater under the intermediate drain pan.

OPTIONS

- HG1** Hot gases (coil: hot gases, drain pan: electric heaters).
- HGT** Hot gases (coil and drain pan). [CONTACT US](#)
- RVU** Shell defrost heaters.
- RVK** Shell defrost heaters. [KIT TO INSTALL](#)
- RVB** Shell defrost heaters + terminal box.
- RCS** Blower heater. [KIT TO INSTALL](#)
- 1,300 W or 2,300 W (Ø 300 mm).
- 2,500 W or 4,500 W (Ø 450 mm).
- HDA** Suction defrost hood. [KIT TO INSTALL](#)
- 2TH** Defrost and safety thermostats (5709L + 5708L).
- THD** Defrost thermostat (5709L).
- THS** Safety thermostat (5708L).
- E1U** Light electric defrost.
- E1K** Light electric defrost. [KIT TO INSTALL](#)
- E3K** Full electric defrost. [KIT TO INSTALL](#)

	+10	+2	-5	-10	-25°C
tA1	3C-A .. R/L	+E1K / E1U			+E3K
					3C-A .. E/C

Electric defrost level	Models	Kit Option	Number of heaters					
			Ø 300 mm			Ø 450 mm		
			Models	Coil	Drain pan	Models	Coil	Drain pan
Light	3C-A .. R/L	E1K E1U	3xxx except 3142	3 2	-	All	3	-
Full	3C-A .. L	E3K	3xx3	3	1	4xxx except 4263	8 5	1 1
	3C-A .. C	standard	3xx4 3xx5	3 4	1 1			
	3C-A .. R	E3K	3xx2	2	1	4xxx except 4263	8 5	1 1
	3C-A .. E	standard	3xx3	3	1			

3C-A 3^(A) 1^(B) 42^(C)-R^(D)

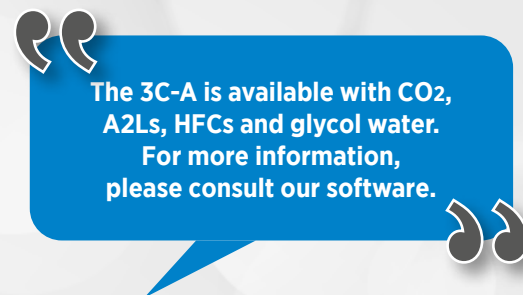
(A) Fan diameter: **3** = Ø 300 mm - **4** = Ø 450 mm

(3) Number of fans

(C) Model

(D) Fin spacing: **R** = 4 mm (positive) **E** = 4 mm (negative)

L = 6 mm (positive) **C** = 6 mm (negative)



3C-A (1/2)

 4 mm

CONDITIONS	REFRIGERANTS	3C-A ... -R	3142	3143	3145	3155	3165	3243	3245	3343	3344	3345	4165	4166	3354
SC2 (1)	CO ₂ - 60 bar (2)	kW	1,6	2,2	2,8	3,2	3,6	4,4	5,6	6,6	7,7	8,2	8,7	9,4	8,8
		R449A	1,4	2,0	2,5	3,0	3,4	4,0	5,3	6,2	7,3	8,0	7,9	8,2	8,6
SC3 (1)	CO ₂ - 60 bar (2)	kW	1,3	1,8	2,3	2,6	2,9	3,5	4,6	5,5	6,2	6,6	7,2	7,7	7,0
		R449A	1,0	1,3	1,9	2,2	2,5	2,9	4,0	4,5	5,4	5,8	5,7	6,2	6,4
SC4 (1)	CO ₂ - 60 bar (2)	kW	1,1	1,5	1,8	2,1	2,3	2,8	3,7	4,4	5,0	5,3	5,8	6,2	5,6
		R449A	0,7	1,0	1,4	1,7	2,0	2,3	3,1	3,5	4,2	4,6	4,3	4,9	5,1
Surface area		m ²	4,1	6,2	10,3	12,8	15,4	12,3	20,5	18,5	24,6	30,8	23,1	27,7	30,8
Circuit volume		dm ³	0,7	1,0	1,7	2,1	2,5	2,0	3,3	3,0	4,0	5,0	3,8	4,5	5,0
Airflow		m ³ /h	1600	1480	1270	1420	1530	2950	2530	4420	4100	3800	5160	4130	4510
Air throw (3)		m	15	14	12	14	15	17	15	20	19	18	25	24	21
		Nb	1	1	1	1	1	2	2	3	3	3	1	1	3
		Ø	300	300	300	300	300	300	300	300	300	300	450	450	300
Fan 1,350 rpm	230 V/1/50-60 Hz	W max	72	72	72	72	72	144	144	216	216	216	-	-	216
		A max (4)	0,32	0,32	0,32	0,32	0,32	0,64	0,64	0,96	0,96	0,96	-	-	0,96
	400 V/3/50 Hz	W max	-	-	-	-	-	-	-	-	-	-	500	500	-
		A max (4)	-	-	-	-	-	-	-	-	-	-	1,00	1,00	-
3C-A ... -R Electric defrost EIK (5)	230 V/1/50 Hz	W Total	580	870	870	1080	1290	1740	1740	2580	2580	2580	1080	1080	3240
		A Total	2,5	3,8	3,8	4,7	5,6	7,6	7,6	11,2	11,2	11,2	4,7	4,7	14,1
3C-A ... -E Standard electric defrost	400 V/3/50 Hz	A Total	-	-	-	-	-	-	-	-	-	-	-	-	-
		Nb	2 + 1	3 + 1	5 + 1	5 + 1	5 + 1	3 + 1	5 + 1	3 + 1	5 + 1	5 + 1	5 + 1	8 + 1	8 + 1
Connections HFCs	Inlet (6)	Ø OD	3/8"	5/8"	5/8"	5/8"	5/8"	5/8"	5/8"	5/8"	5/8"	5/8"	7/8"	7/8"	5/8"
		Ø ODF	3/8"	5/8"	5/8"	5/8"	5/8"	7/8"	7/8"	7/8"	7/8"	7/8"	7/8"	7/8"	7/8"
Net weight	Outlet (6)	kg	17	18	20	22	24	28	32	41	43	45	41	43	48

(1) Standard conditions:

SC2 / 0 °C (air inlet temp.) / -8 °C (evaporating temp.) / DTI = 8K

SC3 / -18 °C (air inlet temp.) / -25 °C (evaporating temp.) / DTI = 7K

SC4 / -25 °C (air inlet temp.) / -31 °C (evaporating temp.) / DTI = 6K

(2) Operating pressure - Specific coil - Connection diameters to be defined when ordering.

(3) Residual air speed: 0.25 m/s.

(4) Adjustment of overload protection. For air temperatures "ti" other than +20 °C, multiply the intensities by the ratio 293/(273 + "ti") to obtain the approximate value of the intensity after the room has been brought up to temperature.

(5) Electric defrost option.

(6) OD: Male connection - ODF: female to receive the tube of the same diameter.



3C-A 3^(A) 4^(B) 44^(C) -R^(D)

(A) Fan diameter: **3** = Ø 300 mm - **4** = Ø 450 mm

(3) Number of fans

(C) Model

(D) Fin spacing: **R** = 4 mm (positive) **E** = 4 mm (negative)

L = 6 mm (positive) **C** = 6 mm (negative)

The 3C-A is available with CO₂, A2Ls, HFCs and glycol water. For more information, please consult our software.

3C-A (2/2)

4 mm

CONDITIONS	REFRIGERANTS	3C-A ... -R	3444	3445	4263	3455	3545	4264	4265	4266	4364	4366	4386	4466
SC2 (1)	CO ₂ - 60 bar (2)	kW	10,3	11,1	12,7	12,8	13,6	15,4	17,4	18,9	23,1	28,0	34,8	37,7
	R449A	kW	9,7	10,9	11,2	12,5	13,7	13,8	15,9	17,6	20,9	26,1	33,2	34,4
SC3 (1)	CO ₂ - 60 bar (2)	kW	8,4	9,0	10,3	10,1	10,7	12,6	14,3	15,6	18,9	22,3	28,3	30,5
	R449A	kW	7,2	8,0	8,0	9,3	9,6	9,7	11,6	12,8	15,0	19,8	23,7	25,6
SC4 (1)	CO ₂ - 60 bar (2)	kW	6,8	7,3	8,2	8,2	8,6	10,1	11,5	12,6	15,2	17,8	22,8	24,5
	R449A	kW	5,7	6,4	6,2	7,2	7,6	7,5	9,0	10,1	11,6	15,5	18,5	19,9
Surface area		m ²	32,8	41,1	27,7	51,3	51,3	37,0	46,2	55,4	55,4	83,1	110,9	110,9
Circuit volume		dm ³	5,4	6,7	4,5	8,4	8,4	6,0	7,5	9,0	9,0	13,5	18,1	18,1
Airflow		m ³ /h	5460	5070	11740	5700	6340	10990	10310	8270	16480	12400	16780	16540
Air throw (3)		m	22	21	32	23	24	31	30	29	35	33	35	36
		Nb	4	4	2	4	5	2	2	2	3	3	3	4
		Ø	300	300	450	300	300	450	450	450	450	450	450	450
Fan 1,350 rpm	230 V/1/50-60 Hz	W max	288	288	-	288	360	-	-	-	-	-	-	-
		A max (4)	1,28	1,28	-	1,28	1,60	-	-	-	-	-	-	-
	400 V/3/50 Hz	W max	-	-	1000	-	-	1000	1000	1000	1500	1500	1500	2000
		A max (4)	-	-	2,00	-	-	2,00	2,00	2,00	3,00	3,00	3,00	4,00
		Nb	3	3	3	3	3	3	3	3	3	3	3	3
3C-A ... -R		W Total	3450	3450	2160	4320	4320	2160	2160	2160	3240	3240	3960	3960
Electric defrost EIK (5)	230 V/1/50 Hz	A Total	15,0	15,0	9,4	-	-	9,4	9,4	9,4	14,1	14,1	-	-
	400 V/3/50 Hz	A Total	-	-	-	6,2	6,2	-	-	-	-	-	5,7	5,7
3C-A ... -E	Coil + drain pan	Nb	5 + 1	5 + 1	5 + 1	5 + 1	5 + 1	8 + 1	8 + 1	8 + 1	8 + 1	8 + 1	8 + 1	8 + 1
		W Total	6900	6900	4320	8640	8640	6480	6480	6480	9720	9720	11880	11880
Electric defrost standard	230 V/1/50 Hz	A Total	-	-	-	-	-	-	-	-	-	-	-	-
	400 V/3/50 Hz	A Total	10,0	10,0	6,3	12,5	12,5	9,4	9,4	9,4	14,0	14,0	17,1	17,1
Connections HFCs	Inlet (6)	Ø OD	5/8"	7/8"	7/8"	7/8"	7/8"	1 1/8"	1 1/8"	1 1/8"	1 1/8"	1 1/8"	1 3/8"	1 3/8"
	Outlet (6)	Ø ODF	7/8"	1 1/8"	1 3/8"	1 3/8"	1 3/8"	1 3/8"	1 3/8"	1 3/8"	1 5/8"	1 5/8"	2 1/8"	2 1/8"
Net weight		kg	54	57	58	65	70	62	65	69	84	95	114	123

(1) Standard conditions:

SC2 / 0 °C (air inlet temp.) / -8 °C (evaporating temp.) / DT1 = 8K

SC3 / -18 °C (air inlet temp.) / -25 °C (evaporating temp.) / DT1 = 7K

SC4 / -25 °C (air inlet temp.) / -31 °C (evaporating temp.) / DT1 = 6K

(2) Operating pressure - Specific coil - Connection diameters to be defined when ordering.

(3) Residual air speed: 0.25 m/s.

(4) Adjustment of overload protection. For air temperatures "ti" other than +20 °C, multiply the intensities by the ratio 293/(273 + "ti") to obtain the approximate value of the intensity after the room has been brought up to temperature.

(5) Electric defrost option.

(6) OD: Male connection - ODF: female to receive the tube of the same diameter.

3C-A 3^(A)1^(B)43^(C)-L^(D)

- (A) Fan diameter: **3** = Ø 300 mm - **4** = Ø 450 mm
 (3) Number of fans
 (C) Model
 (D) Fin spacing: **R** = 4 mm (positive) **E** = 4 mm (negative)
L = 6 mm (positive) **C** = 6 mm (negative)

The 3C-A is available with CO₂, A2Ls, HFCs and glycol water. For more information, please consult our software.

3C-A (1/2)

 6 mm

CONDITIONS	REFRIGERANTS	3C-A ... -L	3143	3144	3145	3155	3165	3243	3244	3245	3343	3344	4165	3345	3354
SC2 (1)	CO ₂ - 60 bar (2)	kW	1,9	2,3	2,5	2,9	3,2	3,8	4,4	4,8	5,4	6,8	7,7	7,6	7,8
	CO ₂ - 80 bar (2)	kW	1,6	2,0	2,3	2,7	3,0	3,4	4,0	4,3	4,9	6,2	-	6,9	-
	R449A	kW	1,6	2,0	2,3	2,7	3,2	3,4	4,2	4,8	5,6	6,4	6,9	7,3	7,5
SC3 (1)	CO ₂ - 60 bar (2)	kW	1,5	1,9	2,1	2,4	2,6	3,1	3,5	3,7	4,2	5,6	6,4	6,1	6,3
	CO ₂ - 80 bar (2)	kW	1,4	1,7	1,9	2,2	2,4	2,8	3,1	3,3	3,7	5,1	-	5,5	-
	R449A	kW	1,1	1,4	1,7	2,0	2,3	2,4	2,9	3,5	3,8	4,5	4,9	5,2	5,4
SC4 (1)	CO ₂ - 60 bar (2)	kW	1,2	1,5	1,7	1,9	2,1	2,5	2,8	2,9	3,3	4,5	5,2	4,9	5,1
	CO ₂ - 80 bar (2)	kW	1,1	1,3	1,5	1,7	1,9	2,2	2,4	2,6	2,9	4,0	-	4,4	-
	R449A	kW	0,9	1,1	1,3	1,5	1,8	1,9	2,3	2,8	3,0	3,6	3,8	4,1	4,2
Surface area		m ²	4,3	5,7	7,1	8,9	10,6	8,5	11,4	14,2	12,8	17,0	16,0	21,3	21,3
Circuit volume		dm ³	1,0	1,3	1,7	2,1	2,5	2,0	2,7	3,3	3,0	4,0	3,8	5,0	5,0
Airflow		m ³ /h	1560	1470	1380	1520	1600	3120	2940	2770	4680	4410	5560	4150	4740
Air throw (3)		m	15	14	13	15	16	18	17	16	21	20	26	19	22
		Nb	1	1	1	1	1	2	2	2	3	3	1	3	3
		Ø	300	300	300	300	300	300	300	300	300	300	450	300	300
Fan 1,350 rpm	230 V/1/50-60 Hz	W max	72	72	72	72	72	144	144	144	216	216	-	216	216
		A max (4)	0,32	0,32	0,32	0,32	0,32	0,64	0,64	0,64	0,96	0,96	-	0,96	0,96
	400 V/3/50 Hz	W max	-	-	-	-	-	-	-	-	-	-	500	-	-
		A max (4)	-	-	-	-	-	-	-	-	-	-	1,00	-	-
		Nb	3	3	3	3	3	3	3	3	3	3	3	3	3
3C-A ... -R Electric defrost EIK (5)		W Total	870	870	870	1080	1290	1740	1740	1740	2580	2580	1080	2580	3240
	230 V/1/50 Hz	A Total	3,8	3,8	3,8	4,7	5,6	7,6	7,6	7,6	11,2	11,2	4,7	11,2	14,1
	400 V/3/50 Hz	A Total	-	-	-	-	-	-	-	-	-	-	-	-	-
	Coil + drain pan	Nb	3 + 1	3 + 1	4 + 1	4 + 1	4 + 1	3 + 1	3 + 1	4 + 1	3 + 1	3 + 1	8 + 1	4 + 1	3 + 1
3C-A ... -E Standard electric defrost		W Total	1160	1160	1450	1800	2150	2320	2320	2900	3440	3440	3240	4300	4320
	230 V/1/50 Hz	A Total	5,1	5,1	6,3	7,8	9,3	10,1	10,1	12,6	15,0	15,0	14,1	-	-
	400 V/3/50 Hz	A Total	-	-	-	-	-	-	-	-	-	-	-	6,2	6,2
Connections	Inlet (6)	Ø OD	5/8"	5/8"	5/8"	5/8"	5/8"	5/8"	5/8"	5/8"	5/8"	5/8"	5/8"	5/8"	5/8"
HFCs	Outlet (6)	Ø ODF	5/8"	5/8"	5/8"	5/8"	5/8"	7/8"	7/8"	7/8"	7/8"	7/8"	7/8"	7/8"	7/8"
Net weight		kg	18	19	19	21	23	28	29	30	39	41	39	43	46

(1) Standard conditions:
 SC2 / 0 °C (air inlet temp.) / -8 °C (evaporating temp.) / DT1 = 8K
 SC3 / -18 °C (air inlet temp.) / -25 °C (evaporating temp.) / DT1 = 7K
 SC4 / -25 °C (air inlet temp.) / -31 °C (evaporating temp.) / DT1 = 6K
 (2) Operating pressure - Specific coil - Connection diameters to be defined when ordering.
 (3) Residual air speed: 0.25 m/s.
 (4) Adjustment of overload protection. For air temperatures "ti" other than +20 °C, multiply the intensities by the ratio 293/(273 + "ti") to obtain the approximate value of the intensity after the room has been brought up to temperature.
 (5) Electric defrost option.
 (6) OD: Male connection - ODF: female to receive the tube of the same diameter.

3C-A 4^(A) 1^(B) 66^(C) -L^(D)

(A) Fan diameter: **3** = Ø 300 mm - **4** = Ø 450 mm

(3) Number of fans

(C) Model

(D) Fin spacing: **R** = 4 mm (positive) **E** = 4 mm (negative)
L = 6 mm (positive) **C** = 6 mm (negative)

The 3C-A is available with CO₂, A2Ls, HFCs and glycol water. For more information, please consult our software.

3C-A (2/2)

 6 mm

CONDITIONS	REFRIGERANTS	3C-A ... -L	4166	3444	3445	4263	3455	3545	4264	4266	4364	4366	4386	4466
SC2 (1)	CO ₂ - 60 bar (2)	kW	8,6	9,1	10,2	10,9	11,7	12,6	13,5	17,3	20,3	25,7	31,6	34,6
	CO ₂ - 80 bar (2)	kW	-	-	-	-	-	-	-	-	-	-	-	-
	R449A	kW	7,9	8,5	9,8	9,8	11,4	12,6	12,2	16,0	18,6	24,3	29,5	32,0
SC3 (1)	CO ₂ - 60 bar (2)	kW	7,1	7,5	8,3	8,9	9,4	10,0	11,1	14,3	16,6	20,7	25,8	28,1
	CO ₂ - 80 bar (2)	kW	-	-	-	-	-	-	-	-	-	-	-	-
	R449A	kW	5,4	6,0	7,2	6,8	8,1	8,8	8,4	11,2	12,8	17,0	20,7	22,1
SC4 (1)	CO ₂ - 60 bar (2)	kW	5,7	6,1	6,7	7,2	7,6	8,1	8,9	11,5	13,4	16,6	20,8	22,6
	CO ₂ - 80 bar (2)	kW	-	-	-	-	-	-	-	-	-	-	-	-
	R449A	kW	4,2	4,7	5,7	5,3	6,5	6,9	6,5	8,8	9,9	13,5	16,2	17,2
Surface area		m ²	19,2	22,7	28,4	19,2	35,5	35,5	25,5	38,3	38,3	57,5	76,6	76,6
Circuit volume		dm ³	4,5	5,4	6,7	4,5	8,4	8,4	6,0	9,0	9,0	13,5	18,1	18,1
Airflow		m ³ /h	5290	5880	5540	12300	6060	6920	11690	10580	17540	15870	17780	21160
Air throw (3)		m	25	23	22	33	24	25	32	31	36	34	36	37
		Nb	1	4	4	2	4	5	2	2	3	3	3	4
		Ø	450	300	300	450	300	300	450	450	450	450	450	450
Fan 1,350 rpm	230 V/1/50-60 Hz	W max	-	288	288	-	288	360	-	-	-	-	-	-
		A max (4)	-	1,28	1,28	-	1,28	1,60	-	-	-	-	-	-
	400 V/3/50 Hz	W max	500	-	-	1000	-	-	1000	1000	1500	1500	1500	2000
		A max (4)	1,00	-	-	2,00	-	-	2,00	2,00	3,00	3,00	3,00	4,00
3C-A ... -R		Nb	3	3	3	3	3	3	3	3	3	3	3	3
Electric defrost EIK (5)	230 V/1/50 Hz	W Total	1080	3450	3450	2160	4320	4320	2160	2160	3240	3240	3960	3960
		A Total	4,7	15,0	15,0	9,4	-	-	9,4	9,4	14,1	14,1	-	-
		A Total	-	-	-	-	6,2	6,2	-	-	-	-	5,7	5,7
3C-A ... -E	Coil + drain pan	Nb	8 + 1	3 + 1	4 + 1	5 + 1	4 + 1	4 + 1	8 + 1	8 + 1	8 + 1	8 + 1	8 + 1	8 + 1
		W Total	3240	4600	5750	4320	7200	7200	6480	6480	9720	9720	11880	11880
		A Total	14,1	-	-	-	-	-	-	-	-	-	-	-
Electric defrost standard	230 V/1/50 Hz	A Total	-	6,6	8,3	6,3	10,4	10,4	9,4	9,4	14,0	14,0	17,1	17,1
		A Total	-	-	-	-	-	-	-	-	-	-	-	-
Connections HFCs	Inlet (6)	Ø OD	7/8"	5/8"	7/8"	7/8"	7/8"	7/8"	1 1/8"	1 1/8"	1 1/8"	1 1/8"	1 3/8"	1 3/8"
	Outlet (6)	Ø ODF	7/8"	7/8"	1 1/8"	1 3/8"	1 3/8"	1 3/8"	1 3/8"	1 3/8"	1 5/8"	1 5/8"	2 1/8"	2 1/8"
Net weight		kg	41	52	55	56	62	66	59	65	81	90	108	117

(1) Standard conditions:

SC2 / 0 °C (air inlet temp.) / -8 °C (evaporating temp.) / DT1 = 8K

SC3 / -18 °C (air inlet temp.) / -25 °C (evaporating temp.) / DT1 = 7K

SC4 / -25 °C (air inlet temp.) / -31 °C (evaporating temp.) / DT1 = 6K

(2) Operating pressure - Specific coil - Connection diameters to be defined when ordering.

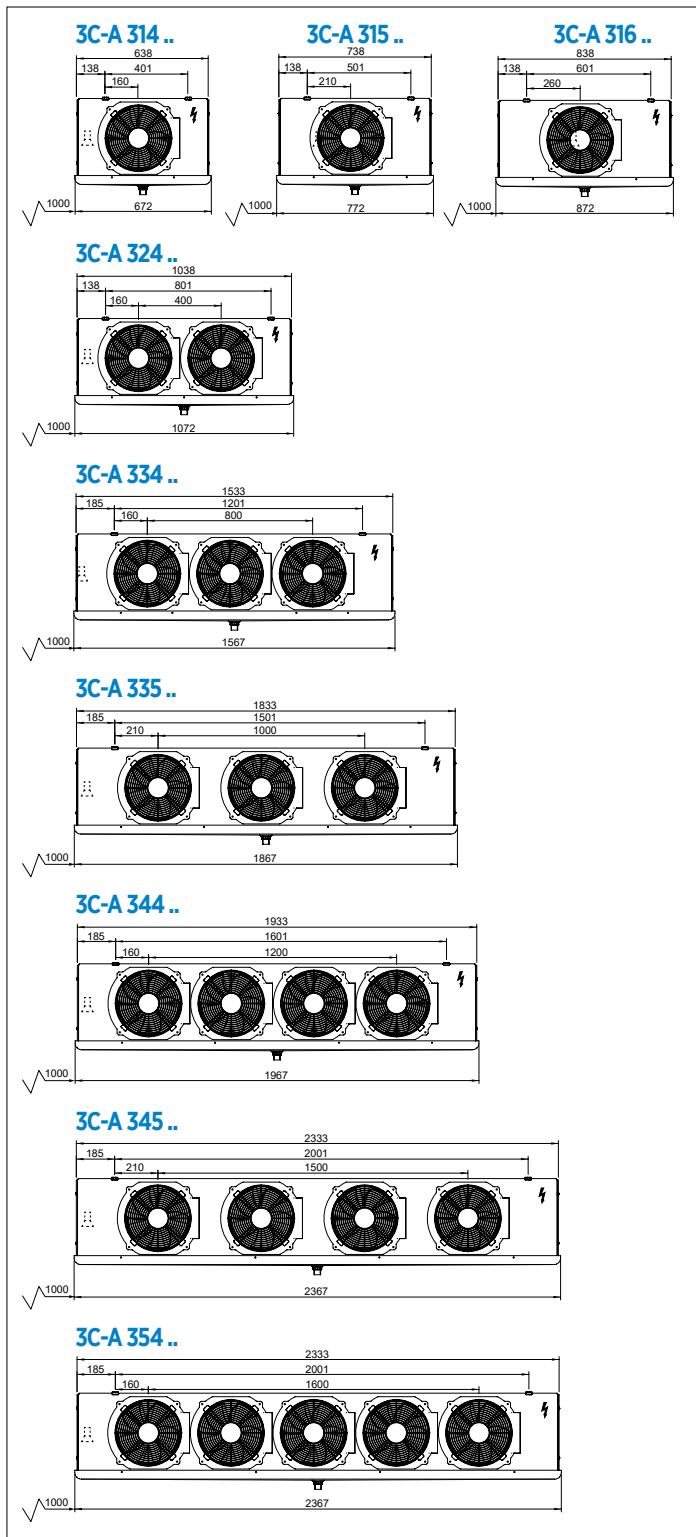
(3) Residual air speed: 0.25 m/s.

(4) Adjustment of overload protection. For air temperatures "ti" other than +20 °C, multiply the intensities by the ratio 293/(273 + "ti") to obtain the approximate value of the intensity after the room has been brought up to temperature.

(5) Electric defrost option.

(6) OD: Male connection - ODF: female to receive the tube of the same diameter.

3C-A | Ø 300 mm



3C-A | Ø 450 mm

