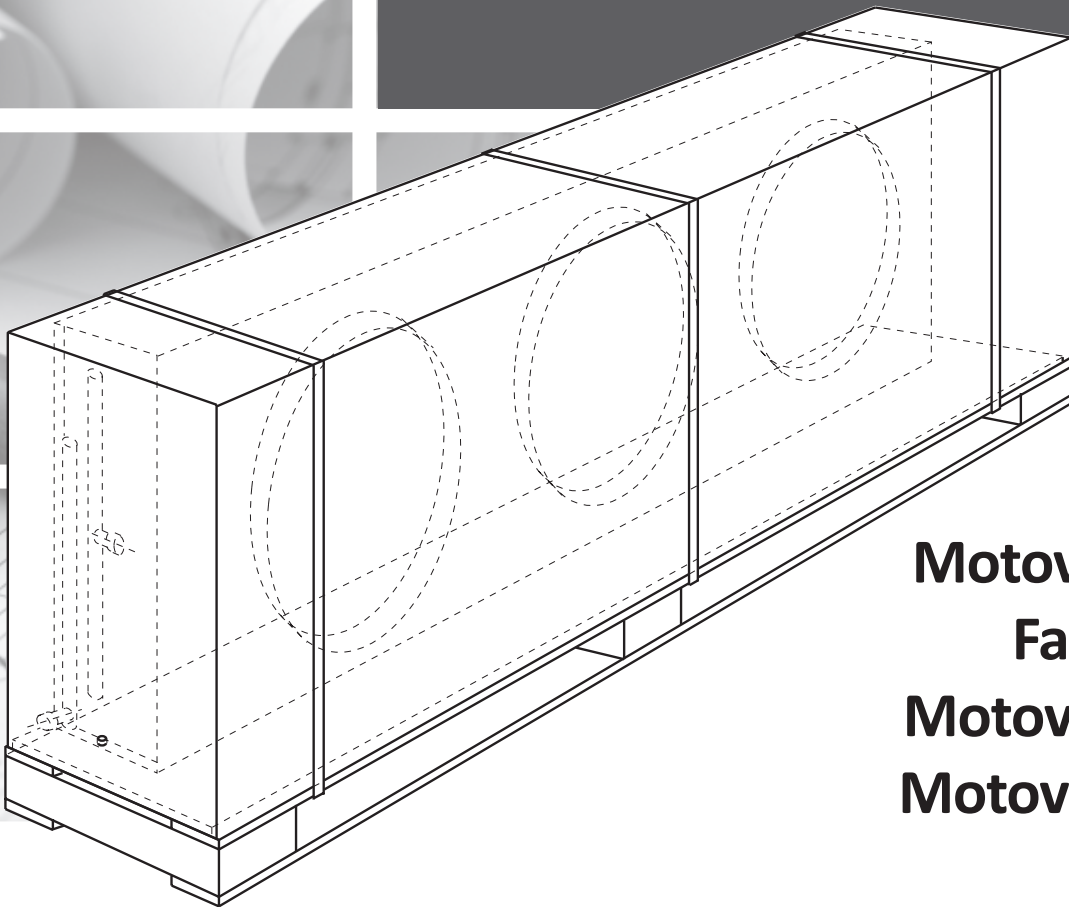


Condensers

# WA Fan assembly

Notice originale  
Original notice  
Originale Hinweise  
Original aviso

N° IN8A00292-A  
01.2011



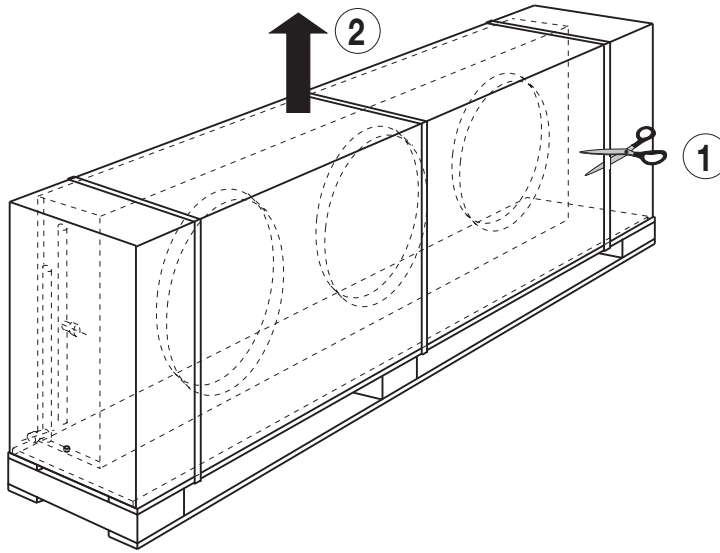
**Motoventilateurs**  
**Fan assembly**  
**Motoventilatoren**  
**Motoventiladores**

**NOTICE TECHNIQUE D'INSTALLATION**  
**INSTALLATION INSTRUCTIONS**  
**INSTALLATIONSNOTIZ**  
**MANUAL TECNICO DE INSTALACION**

**FRIGA-BOHN**

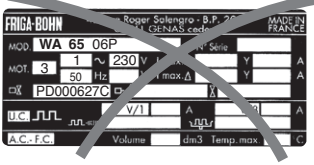
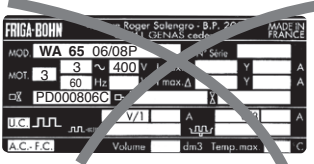
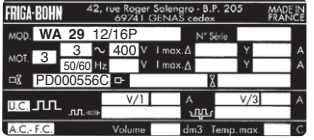
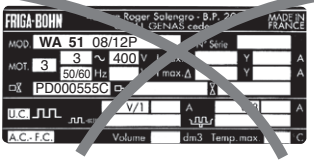
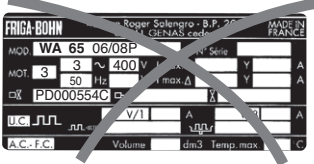
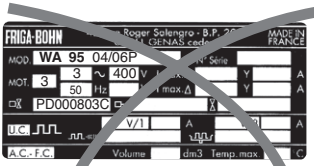
**HK<sup>®</sup>** **REFRIGERATION**

1. → ① → ②



**2. MONTAGE PLAQUE SIGNALÉTIQUE  
NAME PLATE MOUNTING  
MONTAGE DES LEISTUNGSSCHILDES  
MONTAJE CHAPA DE CARACTERISTICAS**

→ ① → ② → ③

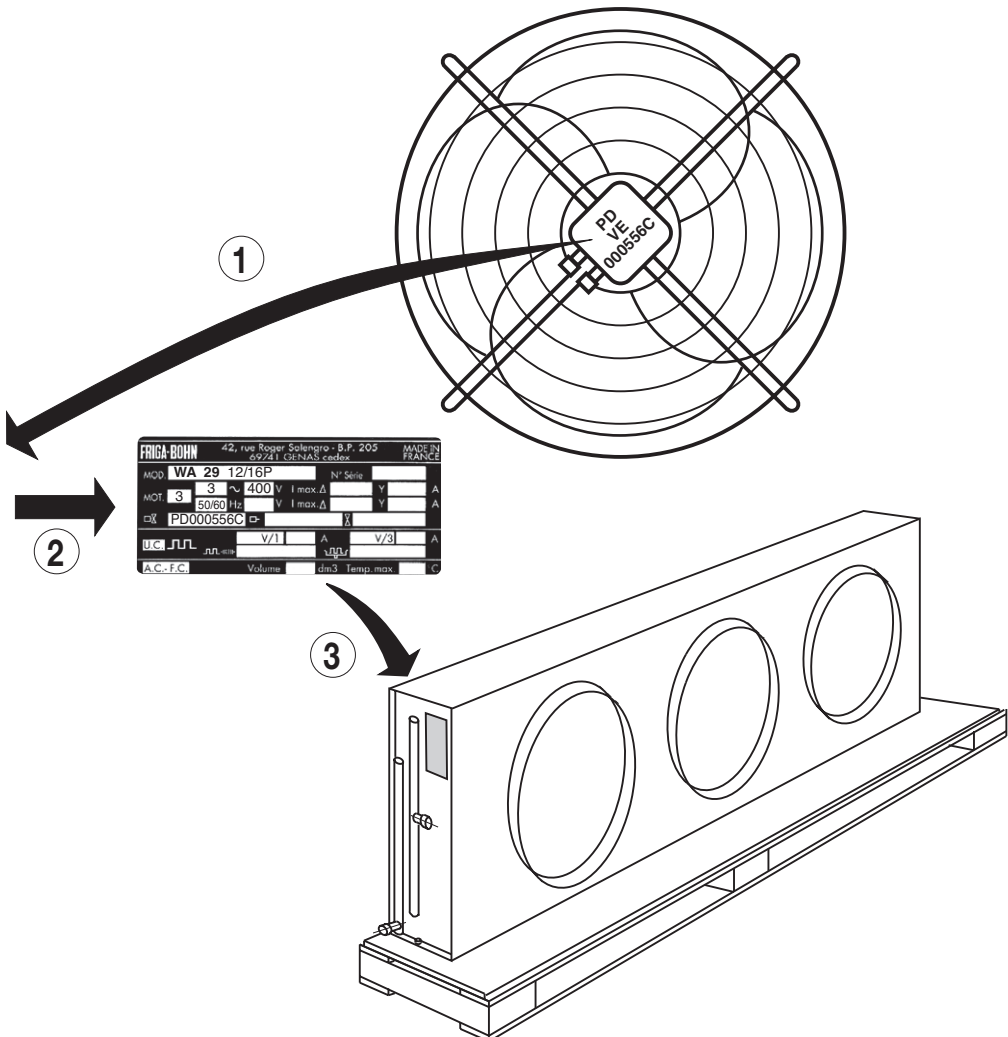


EXEMPLE - EXAMPE - BEISPIEL - EJEMPLO

WA 29 12P-16P / 400 V / 3 / 50-60 HZ

PD 000556C

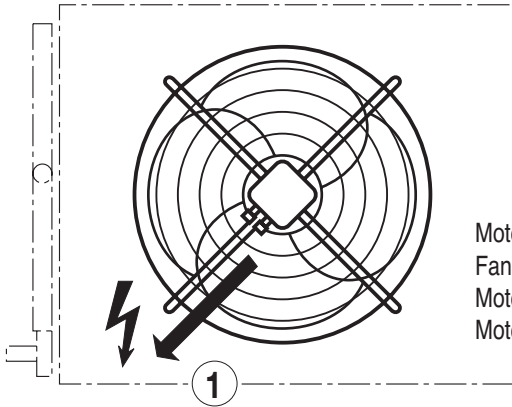
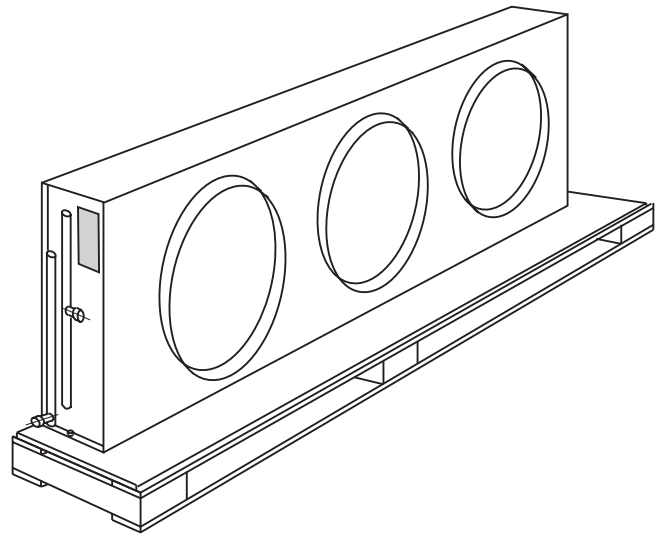
VE 000556C



### 3. MONTAGE MOTOVENTILATEURS FAN ASSEMBLY MOUNTING MONTAGE DER MOTOVENTILATOREN

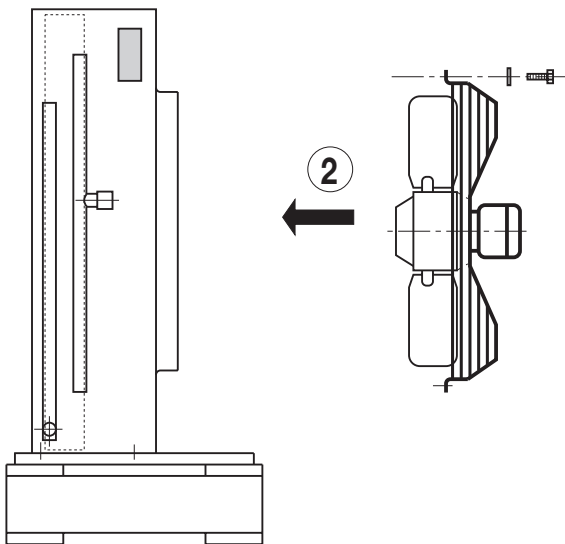
→ ① → ② → ③

EXEMPLE - EXAMPLE - BEISPIEL - EJEMPLO  
WA 29 12P-16P / 400 V / 3 / 50-60 HZ



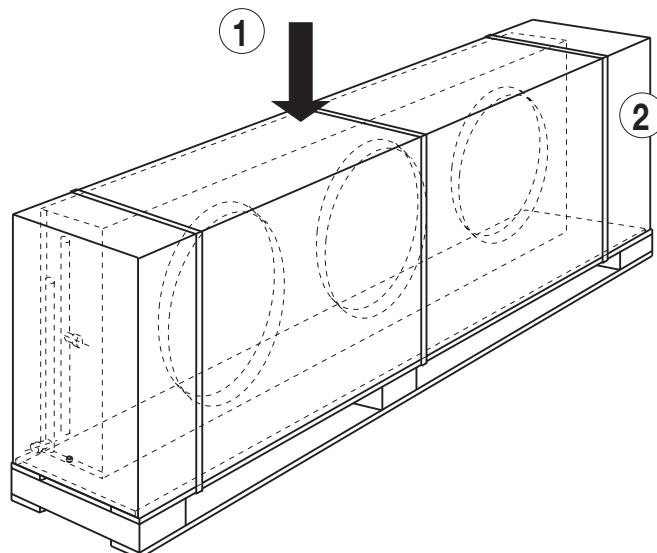
Motoventilateur  
Fan assembly  
Motorventilator  
Motoventilador

12P-16P / 400 V / 3 / 50-60 HZ PD 000556C VE 000556C



③ S'assurer que l'hélice tourne librement.  
Make shure that the fan blade is turning freely.  
Überprüfen, ob Ventilator frei dreht.  
Cerciorarse de que la hélice gira libremente

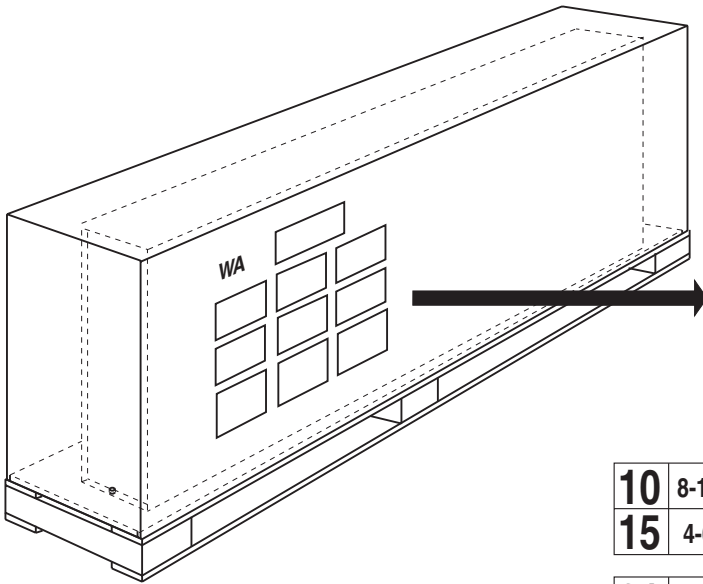
4. → ① → ②



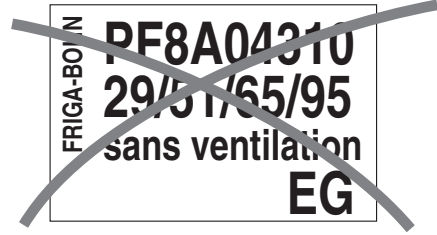
## 5. MARQUAGE - IDENTIFICATION - KENNZEICHNUNG - MARCADO

EXEMPLE - EXAMPLE - BEISPIEL - EJEMPLO

WA 29 12P-16P / 400 V / 3 / 50-60 HZ



**WA**



Ø 500 mm

<b>10</b>	8-12P	
<b>15</b>	4-6P	

<b>13</b>	8-12P	
<b>19</b>	4-6P	

<b>14</b>	8-12P	
<b>22</b>	4-6P	

<b>21</b>	8-12P	
<b>30</b>	4-6P	

<b>26</b>	8-12P	
<b>39</b>	4-6P	

<b>27</b>	8-12P	
<b>44</b>	4-6P	

<b>32</b>	8-12P	
<b>48</b>	4-6P	

<b>37</b>	8-12P	
<b>58</b>	4-6P	

<b>40</b>	8-12P	
<b>67</b>	4-6P	

Ø 630 mm

<b>23</b>	12-16P	
<b>34</b>	8-12P	
<b>41</b>	6-8P	
<b>54</b>	4-6P	

<b>24</b>	12-16P	
<b>36</b>	8-12P	
<b>42</b>	6-8P	
<b>59</b>	4-6P	

<b>28</b>	12-16P	
<b>47</b>	8-12P	
<b>57</b>	6-8P	
<b>81</b>	4-6P	

<b>29</b>	12-16P	<b>X</b>
<b>51</b>	8-12P	
<b>65</b>	6-8P	
<b>95</b>	4-6P	

## 6.

