

FRIGA-BOHN

MF | MFE

Ceiling unit cooler
Commercial range



HFC



|||| 140 - 790 W



- # **Save time** during installation with the motor wired onto the terminal block as standard.
- # **Compact** and **streamlined** design for perfect integration in small spaces and optimization of the storage area.
- # Casing can be fully removed for **easy maintenance**.
- # Direct access to all components on the upper plate **facilitating maintenance operations**.

CASING

Recyclable ABS casing, guaranteeing:

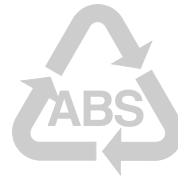
- # High resistance to thermal and mechanical shocks.
- # Perfect hygiene as a result of the rounded corners that eliminate retention zones.
- # No sharp edges for increased safety.

OPTION

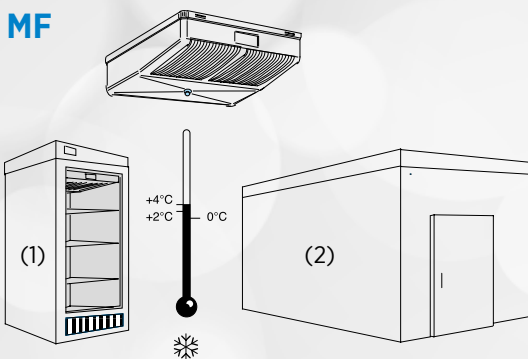
EMA

Wall kit available on MF1 and MF2.
(Do not use on MFE1 and MFE2)

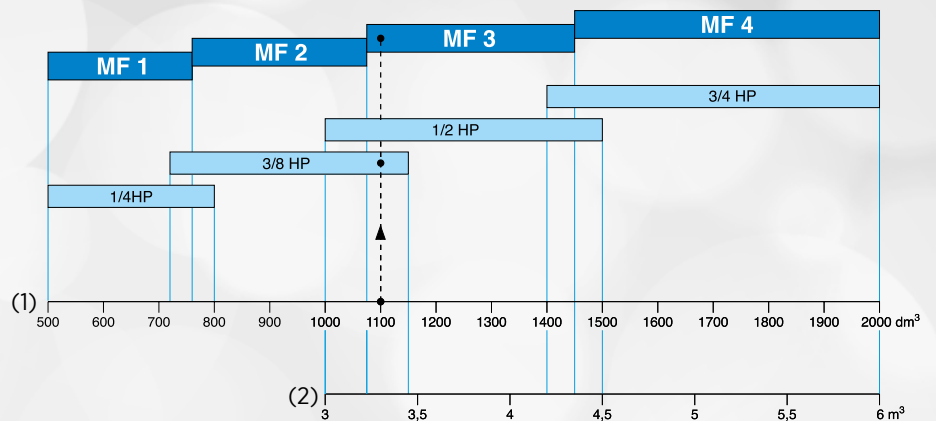
KIT TO INSTALL



MF



- (1) Heavy duty cabinet.
(2) Standard cold room



Example: Heavy duty cabinet - Volume: 1,100 dm³ - temperature +2 °C
Selection: **MF 3** (and 3/8 HP compressor).

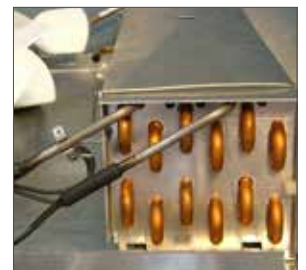
VENTILATION

- # 4-pole motor(s), polypropylene blade.
- # Corrosion resistant blade and grille.



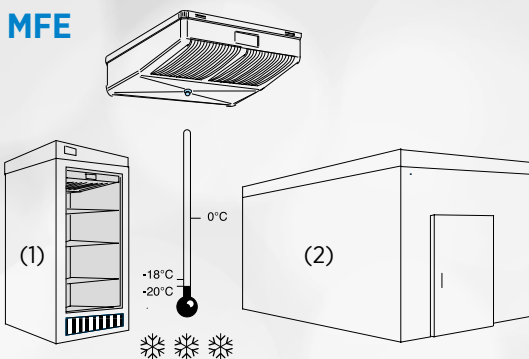
COILS

- # Aluminium fins with 4.23 mm spacing and sinusoidal profile.
- # Combined with copper tubes with a grooved internal structure, the coils are very efficient and compact.
- # Completely covered with polyester protection as standard.
- # Low refrigerant volume.

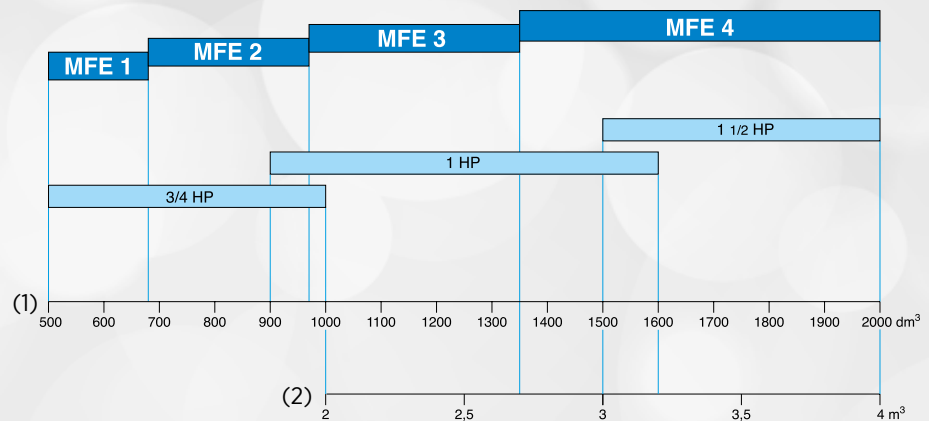


	+10	+2	0	-10	-25°C
tA1	MF ...	MFE ...			MFE ...

MFE



(1) Heavy duty cabinet.
(2) Standard cold room



MF ^(A) 1 ^(B)

- (A) MF = positive temperature without defrost
MFE = negative temperature with defrost
- (B) Number of fans

The MF | MFE is available with HFCs.
For more information,
please consult our software.

MF | MFE

 4.23 mm

CONDITIONS	REFRIGERANT	MF ...
SC2 (1)	R449A	W

1	2	3	4
300	380	740	790

CONDITIONS	REFRIGERANT	MFE ...
SC3 (1)	R449A	W
SC4 (1)	R449A	W
Electric defrost	230V/1/50 Hz	W A

1	2	3	4
220	270	520	600
140	200	380	400
140	160	330	330
0.64	0.73	1.5	1.5

Surface area		m²
Circuit volume		dm³
	Airflow	m³/h
Fan (3)	Air throw (2)	m
230V/1/50-60Hz		Num.
Ø 200 mm		W total
1,500 rpm	230 V/1/50 Hz	A total
Connections	Inlet	Ø ODF
	Outlet	Ø ODF
Net Weight		kg

1	2	3	4
1,1	1,4	2,3	2,8
0,2	0,3	0,5	0,6
270	250	460	430
3,5	3,0	6,0	5,5
1	1	2	2
38	38	76	76
0,33	0,33	0,66	0,66
5/16"	5/16"	5/16"	5/16"
5/16"	5/16"	5/16"	5/16"
4	4	8	9

- (1) Standard conditions:
SC2 / 0 °C (air inlet temp.) / -8 °C (evaporating temp.) / DT1 = 8K
SC3 / -18 °C (air inlet temp.) / -25 °C (evaporating temp.) / DT1 = 7K
SC4 / -25 °C (air inlet temp.) / -31 °C (evaporating temp.) / DT1 = 6K
- (2) When the section of the room allows air circulation.
- (3) Closed motor, class B, protected by its impedance, long-lasting lubrication.

