

WA

Axial fan condenser
Commercial range



HFC



7.8 - 95 kW



- # **Modular product** that adapts to the needs of the application with a wide choice of coils and motor fans.
- # The design of the WA allows **installation flexibility** (horizontal or vertical) for two air delivery directions.
- # "Plug & play" motor fan for **easy maintenance**.

CASING

- # Robust, made of white pre-painted galvanized sheet steel.
- # The use of stainless steel fasteners gives it excellent corrosion resistance and long-lasting aesthetics.



“
Select your coil treatment to extend your unit cooler's lifespan!
Contact us.
”

COILS

- # Aluminium fins with 2.12 mm spacing.
- # Combined with staggered copper tubes, the coils are very efficient and compact.
- # Covered with polyester protection as standard.

VENTILATION



Axial motor fans with external rotor requiring no specific maintenance:

Ø 500 mm, 2 speeds:

- 04/06P = 1,500/1,000 rpm
- 08/12P = 750/500 rpm

Ø 630 mm, 2 speeds:

- 04/06P = 1,500/1,000 rpm
- 06/08P = 1,000/750 rpm
- 08/12P = 750/500 rpm
- 16P = 375 rpm

400V, three-phase, 50Hz, monoblock, with external rotor, with built-in thermal protector, IP 54, class F.

High efficiency, low noise profiled blades.

2-speed motor connection:

- Δ = high speed,
- Y = low speed.

"Plug & play" motor fans for easy maintenance.

OPTIONS

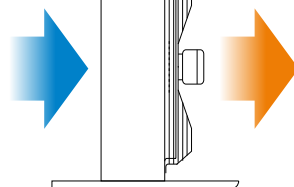
IRP	Rotary proximity switch(es).
M60	Motor fan 400V/3/60Hz (Ø 630 mm).
MM5	Motor fan 230V/1/50Hz - 04P - 06P - 08P.
M24*	Motor fan 230V/3/50-60Hz - 08/12P.

* Motor fans not held in stock.

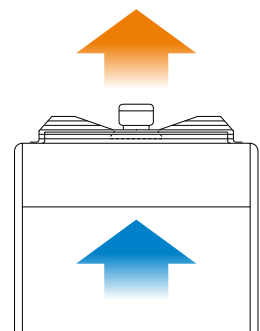
Both horizontal and vertical installation are possible with the standard feet!

In case of installation with horizontal air direction, remember to take into account the direction of the prevailing winds to avoid any risk of hot air recirculation!

Coils and motor fans can be supplied separately.



Horizontal air position



Vertical air position

WA 15_(A) 04/06P_(B)

- (A) Model
- (B) **04/06P** = 1500/1000 tr/min
- 06/08P** = 1000/750 tr/min
- 08/12P** = 750/500 tr/min
- 16P** = 375 tr/min

The WA is available with HFCs.
For more information, please
consult our software.

WA ... 04P/06P - (1,500/1,000 rpm)

 2.12 mm

CONDITIONS		REFRIGERANTS	WA ...	15	19	22	30	39	44	48	58	67	54	59	81	95
DT = 15K	R449A	04P (Δ)	kW	14,0	18,8	21,6	28,5	37,4	43,5	43,6	55,6	62,5	54,5	61,3	82,0	95,1
		06P (Y)	kW	12,7	16,4	18,6	25,7	32,8	37,3	38,9	49,1	54,6	49,0	54,9	73,4	84,2
Surface area			m²	18	26	35	35	53	70	53	79	105	72	95	107	143
Circuit tube vol.			dm³	3	4	6	6	9	12	9	13	18	12	16	18	24
Fan *	Airflow	04P (Δ)	m³/h	7500	6940	6450	15010	13870	12910	22520	20810	19360	21350	19480	32030	29230
		06P (Y)	m³/h	6050	5510	5070	12100	11020	10130	18140	16540	15200	17510	16010	26260	24010
			Nb x mm	1 x 500	1 x 500	1 x 500	2 x 500	2 x 500	2 x 500	3 x 500	3 x 500	3 x 500	2 x 630	2 x 630	3 x 630	3 x 630
Energy class		—04P/06P		E/E	E/E	E/D	E/E	E/E	E/D	E/E	E/E	E/D	E/E	E/E	E/E	E/E
Acoustics	Lw (1)	04P (Δ)	dB(A)	74	73	73	77	76	76	79	78	78	93	93	95	95
		06P (Y)	dB(A)	69	68	68	72	71	71	74	72	72	85	85	87	87
	Lp (2)	04P (Δ)	dB(A)	43	42	42	46	45	45	48	47	47	62	62	63	63
		06P (Y)	dB(A)	38	37	37	41	40	40	43	41	41	54	54	55	55
Circuits			Nb	2	4	4	4	6	8	8	8	8	8	8	12	16
Inlet			ODF (4)	1/2"	5/8"	5/8"	3/4"	7/8"	7/8"	7/8"	1 1/8"	1 1/8"	1 1/8"	1 1/8"	1 3/8"	1 3/8"
Outlet			ODF (4)	1/2"	5/8"	5/8"	5/8"	7/8"	7/8"	7/8"	7/8"	7/8"	7/8"	1 1/8"	1 1/8"	1 1/8"
Net weight			kg	36	40	44	63	72	80	92	104	116	93	103	137	152

* Ø 500 mm - 400 V/3/50 Hz - Δ: 710 W max - 1.4 A max (3) - Y: 480 W max - 0.8 A max (3)
 Ø 630 mm - 400 V/3/50 Hz - Δ: 1,900 W max - 3.2 A max (3) - Y: 1,350 W max - 2.2 A max (3)

WA ... 06P/08P - (1,000/750 rpm)

 2.12 mm

CONDITIONS		REFRIGERANTS	WA ...	41	42	57	65
DT = 15K	R449A	06P (Δ)	kW	40,6	45,0	61,1	68,2
		08P (Y)	kW	35,4	38,5	53,3	58,1
Surface area			m²	72	95	107	143
Circuit tube vol.			dm³	12	16	18	24
Fan *	Airflow	06P (Δ)	m³/h	12800	11630	19200	17440
		08P (Y)	m³/h	10300	9270	15440	13910
			Nb x mm	2 x 630	2 x 630	3 x 630	3 x 630
Energy class		—06P/08P		D/D	D/C	D/D	D/D
Acoustics	Lw (1)	06P (Δ)	dB(A)	83	83	85	85
		08P (Y)	dB(A)	77	77	79	79
	Lp (2)	06P (Δ)	dB(A)	52	52	53	53
		08P (Y)	dB(A)	46	46	47	47
Circuits			Nb	8	8	12	16
Inlet			ODF (4)	1 1/8"	1 1/8"	1 3/8"	1 3/8"
Outlet			ODF (4)	7/8"	1 1/8"	1 1/8"	1 1/8"
Net weight			kg	89	99	131	146

* Ø 630 mm - 400 V/3/50 Hz - Δ: 420 W max - 0.78 A max (3) - Y: 300 W max - 0.5 A max (3)

WA 10^(A) 08/12P^(B)

(A) Model

(B) **04/06P** = 1500/1000 tr/min**06/08P** = 1000/750 tr/min**08/12P** = 750/500 tr/min**16P** = 375 tr/min

The WA is available with HFCs.
For more information, please
consult our software.

WA ... 08P/12P - (750/500 rpm)

 2.12 mm

CONDITIONS	REFRIGERANTS	WA ...	10	13	14	21	26	27	32	37	40	34	36	47	51
DT = 15K	R449A	08P (Δ) kW	8,9	10,9	11,9	18,1	22,0	24,1	27,1	32,9	35,9	35,1	38,8	52,9	58,7
		12P (Y) kW	7,9	9,4	10,2	15,9	19,0	20,3	23,8	28,6	30,5	28,8	30,7	43,3	46,0
Surface area		m²	18	26	35	35	53	70	53	79	105	72	95	107	143
Circuit tube vol.		dm³	3	4	6	6	9	12	9	13	18	12	16	18	24
Fan *	Airflow	08P (Δ) m³/h	3230	2940	2710	6460	5880	5420	9690	8820	8130	10170	9400	15250	14100
		12P (Y) m³/h	2620	2390	2180	5250	4780	4360	7880	7170	6550	7540	6800	11300	10200
		Nb x mm	1 x 500	1 x 500	1 x 500	2 x 500	2 x 500	2 x 500	3 x 500	3 x 500	3 x 500	2 x 630	2 x 630	3 x 630	3 x 630
Energy class	08P/12P		C/C	C/B	C/B	C/C	C/B	C/B	C/C	C/B	C/B	C/C	C/C	C/C	C/C
	12P (Y)		C	B	B	C	B	B	C	B	B	C	C	C	C
Acoustics	Lw (1)	08P (Δ) dB(A)	66	66	66	69	69	69	71	71	71	67	67	69	69
		12P (Y) dB(A)	58	58	58	61	61	61	63	63	63	60	60	62	62
	Lp (2)	08P (Δ) dB(A)	35	35	35	38	38	38	40	40	40	36	36	37	37
		12P (Y) dB(A)	27	27	27	30	30	30	32	32	32	29	29	30	30
Circuits	Nb		2	4	4	4	6	8	8	8	8	8	8	12	16
Inlet	ODF (4)		1/2"	5/8"	5/8"	3/4"	7/8"	7/8"	7/8"	1 1/8"	1 1/8"	1 1/8"	1 1/8"	1 3/8"	1 3/8"
Outlet	ODF (4)		1/2"	5/8"	5/8"	5/8"	7/8"	7/8"	7/8"	7/8"	7/8"	7/8"	1 1/8"	1 1/8"	1 1/8"
Net weight	kg		36	40	44	63	72	80	92	104	116	89	99	131	146

* Ø 500 mm - 400 V/3/50-60 Hz - Δ: 120 W max - 0.35 A max (3) - Y: 80 W max - 0.16 A max (3)
 Ø 630 mm - 400 V/3/50-60 Hz - Δ: 235 W max - 0.55 A max (3) - Y: 140 W max - 0.27 A max (3)

WA ... 16P - (375 rpm)

 2.12 mm

CONDITIONS	REFRIGERANTS	WA ...	23	24	28	29
DT = 15K	R449A	16P (Y) kW	21,5	22,6	32,4	33,8
Surface area		m²	72	95	107	143
Circuit tube vol.		dm³	12	16	18	24
Fan *	Airflow	16P (Y) m³/h	5000	4560	7500	6840
		Nb x mm	2 x 630	2 x 630	3 x 630	3 x 630
Energy class	—16P		B	B	B	B
Acoustics	Lw (1)	16P (Y) dB(A)	57	57	59	59
	Lp (2)	16P (Y) dB(A)	26	26	27	27
Circuits	Nb		8	8	12	16
Inlet	ODF (4)		1 1/8"	1 1/8"	1 3/8"	1 3/8"
Outlet	ODF (4)		7/8"	1 1/8"	1 1/8"	1 1/8"
Net weight	kg		89	99	131	146

* Ø 630 mm - 400 V/3/50-60 Hz - Y: 90 W max - 0.2 A max (3)

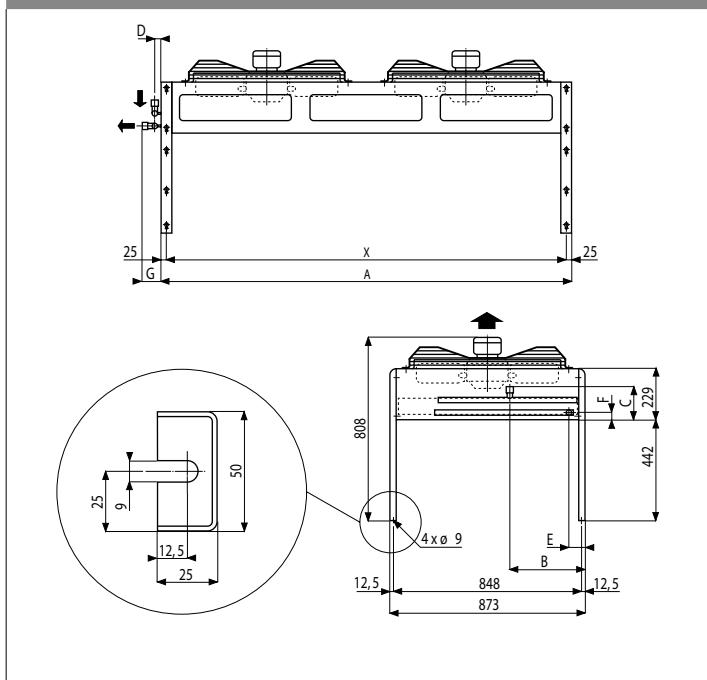
(1) Sound power level in dB(A), obtained in accordance with standard NF EN 13487 (parallelepiped reference surface).

(2) Sound pressure in dB(A) measured at 10 m, parallelepiped measuring surface, in a free field over a reflecting plane, given as an indication only. Values measured under nominal operating conditions, with clean coil, at rated voltage.

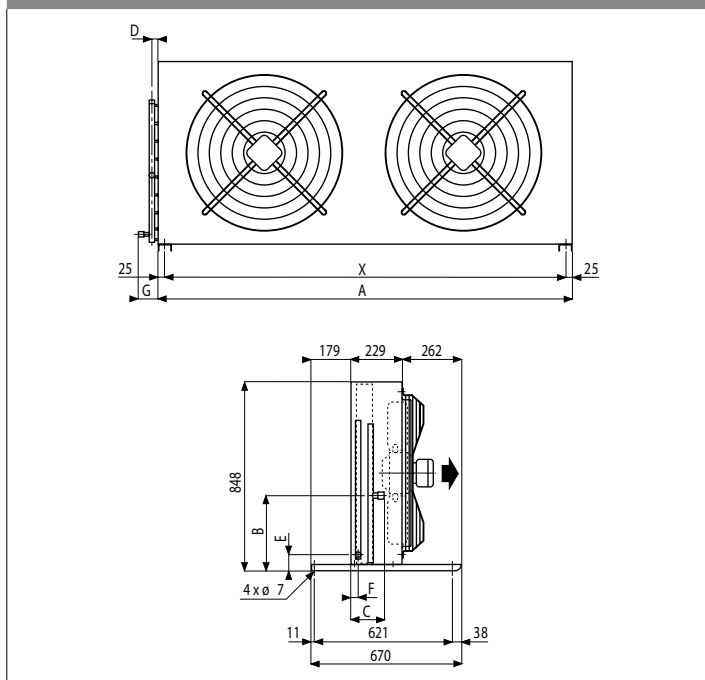
(3) Adjustment of overload protection.

(4) ODF = Female to receive the tube of the same diameter

WA | Vertical air position



WA | Horizontal air position



WA ... 04P/06P

		15	19	22	30	39	44	48	58	67	54	59	81	95
A	mm	730	730	730	1390	1390	1390	2050	2050	2050	1870	1870	2770	2770
B	mm	240	520	340	340	495	390	390	470	390	470	390	455	455
C	mm	150	150	150	150	155	155	155	155	155	150	150	160	160
D	mm	20	25	25	25	30	30	30	30	30	25	25	50	50
E	mm	55	40	55	55	45	55	55	45	55	45	55	45	60
F	mm	73	53	34	73	53	34	73	53	34	53	34	53	34
G	mm	78	81	81	81	88	88	92	88	88	85	85	115	115
X	mm	680	680	680	1340	1340	1340	2000	2000	2000	1820	1820	2720	2720

WA ... 06P/08P

		41	42	57	65
A	mm	1870	1870	2770	2770
B	mm	470	390	455	455
C	mm	150	150	160	160
D	mm	25	25	50	50
E	mm	45	55	45	60
F	mm	53	34	53	34
G	mm	85	85	115	115
X	mm	1820	1820	2720	2720

WA ... 08P/12P

		10	13	14	21	26	27	32	37	40	34	36	47	51
A	mm	730	730	730	1390	1390	1390	2050	2050	2050	1870	1870	2770	2770
B	mm	240	520	340	340	495	390	390	470	390	470	390	455	455
C	mm	150	150	150	150	155	155	155	155	155	150	150	160	160
D	mm	20	25	25	25	30	30	30	30	30	25	25	50	50
E	mm	55	40	55	55	45	55	55	45	55	45	55	45	60
F	mm	73	53	34	73	53	34	73	53	34	53	34	53	34
G	mm	78	81	81	81	88	88	92	88	88	85	85	115	115
X	mm	680	680	680	1340	1340	1340	2000	2000	2000	1820	1820	2720	2720

WA ... 16P

		23	24	28	29
A	mm	1870	1870	2770	2770
B	mm	470	390	455	455
C	mm	150	150	160	160
D	mm	25	25	50	50
E	mm	45	55	45	60
F	mm	53	34	53	34
G	mm	85	85	115	115
X	mm	1820	1820	2720	2720